

# SS-H6600

## SERVICE MANUAL

AEP Model  
UK Model  
E Model

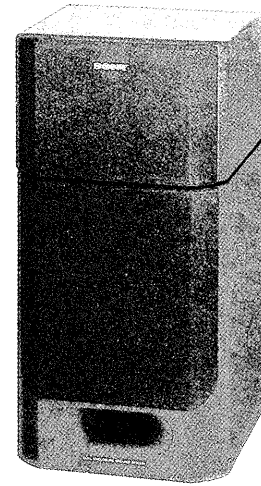
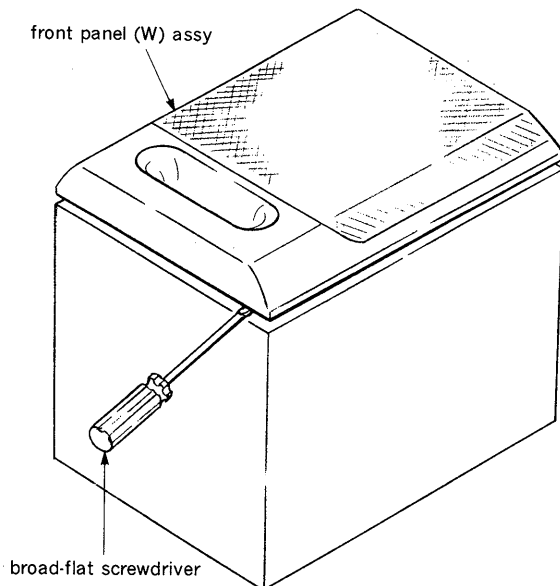
### SPECIFICATIONS

Speaker system	3-way, 4-box type
Satellite unit	
Speaker units	Mid-range: 8cm(3 in.) cone type Tweeter: 2cm( $1\frac{3}{16}$ in.) soft dome type
Power handling capacity	Maximum input power 50W
Sensitivity	89 dB/W/m
Effective frequency range	200-20,000 Hz
Rated impedance	8 ohms
Dimensions	Approx. 185x115x220mm(w/h/d) ( $7\frac{3}{8}$ x $4\frac{5}{8}$ x $8\frac{3}{4}$ in.)
Weight	Approx. 1.7 kg (3 lb 12 oz)
Bass unit	
Speaker unit	Woofer: 15cm(6 in.) cone type
Power handling capacity	Maximum input power 70W
Sensitivity	89 dB/W/m
Effective frequency range	40-200 Hz
Rated impedance	6 ohms
Dimensions	Approx. 185x250x220mm(w/h/d) ( $7\frac{3}{8}$ x $9\frac{7}{8}$ x $8\frac{3}{4}$ in.)
Weight	Approx. 4.1 kg (9 lb 1 oz)

Design and specifications subject to change without notice.

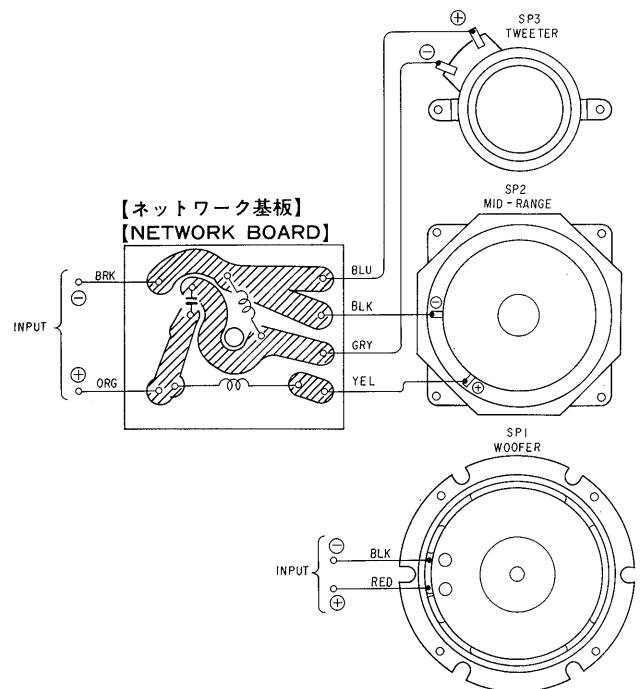
### 1. FRONT PANEL (W) ASSY REMOVAL

**Note :** Be careful not to scratch the cabinet.



This set is the speaker system in MHC-5600, MHC-6600, FH-E939CD, and FH-E949CD.

### 2. WIRING DIAGRAM

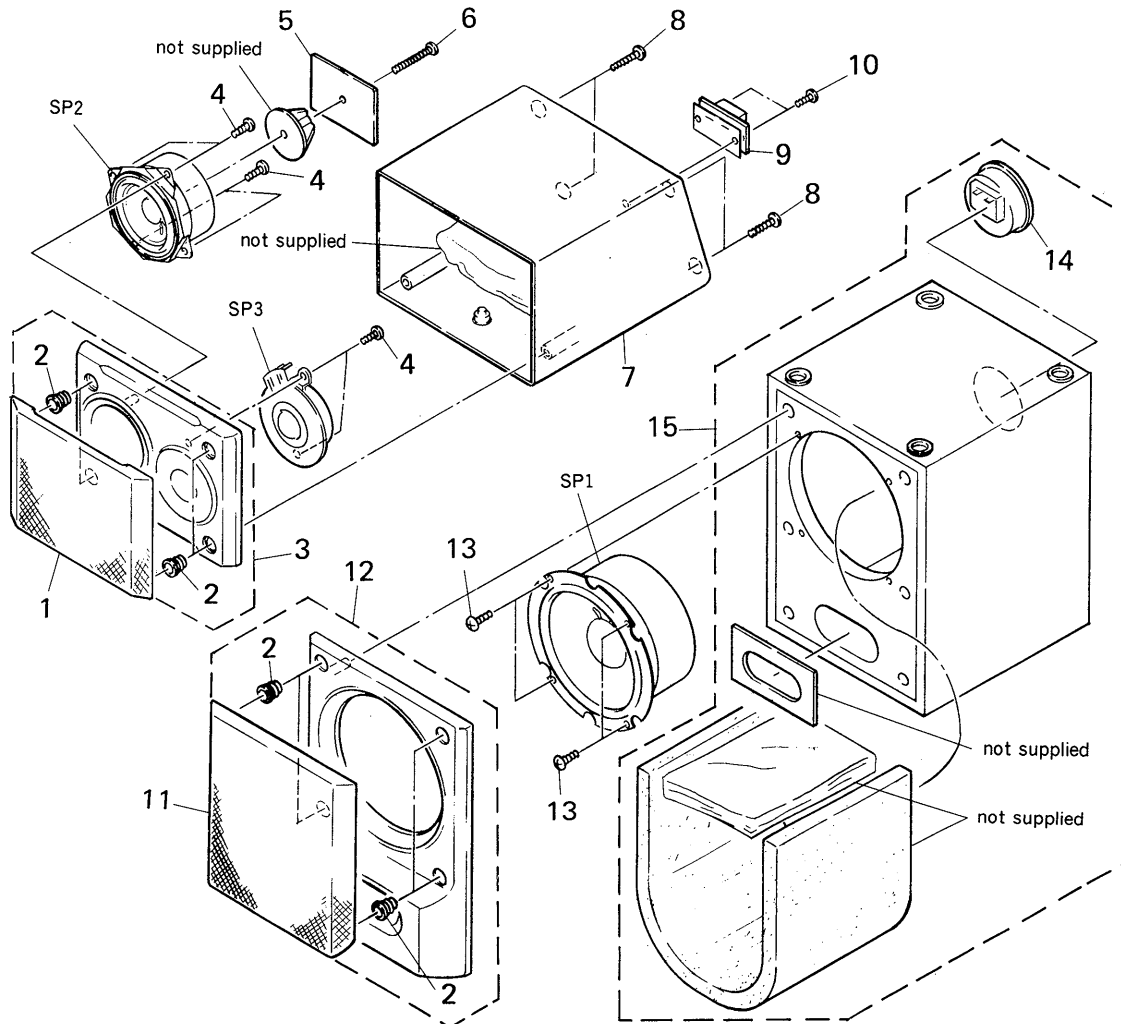


SPEAKER SYSTEM  
**SONY**®

**3. EXPLODED VIEW AND PARTS LIST**

**NOTE:**

- The mechanical parts with no reference number in the exploded views are not supplied.
- Items marked “\*” are not stocked since they are seldom required for routine service. Some delay should be anticipated when ordering these items.
- -XX, -X mean standardized parts, so they may have some differences from the original one.
- Color Indication of Appearance Parts  
Example:  
KNOB, BALANCE (WHITE)...(RED)  
Parts Color ↑ Cabinet's Color



Ref.No	Part No.	Description	Remarks
1	X-4941-269-1	FRAME (S) ASSY, GRILLE	
2	*4-912-253-01	CATCHER	
3	X-4941-370-1	PANEL (S) ASSY, FRONT	
4	7-685-660-79	SCREW +BVTP 4×10 TYPE2 IT-3	
5	*1-589-323-11	MOUNTED PC BOARD (NETWORK)	
6	7-685-878-01	SCREW +BVTT 3×25 (S)	
7	X-4941-270-1	CABINET (S) ASSY, SPEAKER	
8	7-685-663-79	SCREW +BVTP 4×16 TYPE2 IT-3	
9	1-537-337-31	TERMINAL BOARD (2P SP)	
10	7-685-647-79	SCREW +BVTP 3×10 TYPE2 N-S	

Ref.No	Part No.	Description	Remarks
11	X-4941-271-1	FRAME (W) ASSY, GRILLE	
12	X-4941-439-2	PANEL (W) ASSY, FRONT	
13	4-874-614-11	SCREW (4) (3.5×14), TAPPING	
14	1-537-145-11	TERMINAL BOARD (SPEAKER)	
15	X-4941-398-1	CABINET (W) ASSY, SPEAKER (AEP, UK, E)	
15	X-4941-399-1	CABINET (W) ASSY, SPEAKER (Germany)	
SP1	1-544-434-21	SPEAKER (15CM)	
SP2	1-544-433-11	SPEAKER (8CM)	
SP3	1-544-432-11	SPEAKER (2.5CM)	

ACCESSORY&PACKING MATERIAL  
\*\*\*\*\*

- 1-590-855-11 CORD, SPEAKER (AEP, Germany)
- 3-753-188-11 MANUAL, INSTRUCTION (AEP, Germany)
- 3-694-922-01 SHEET, PROTECTION